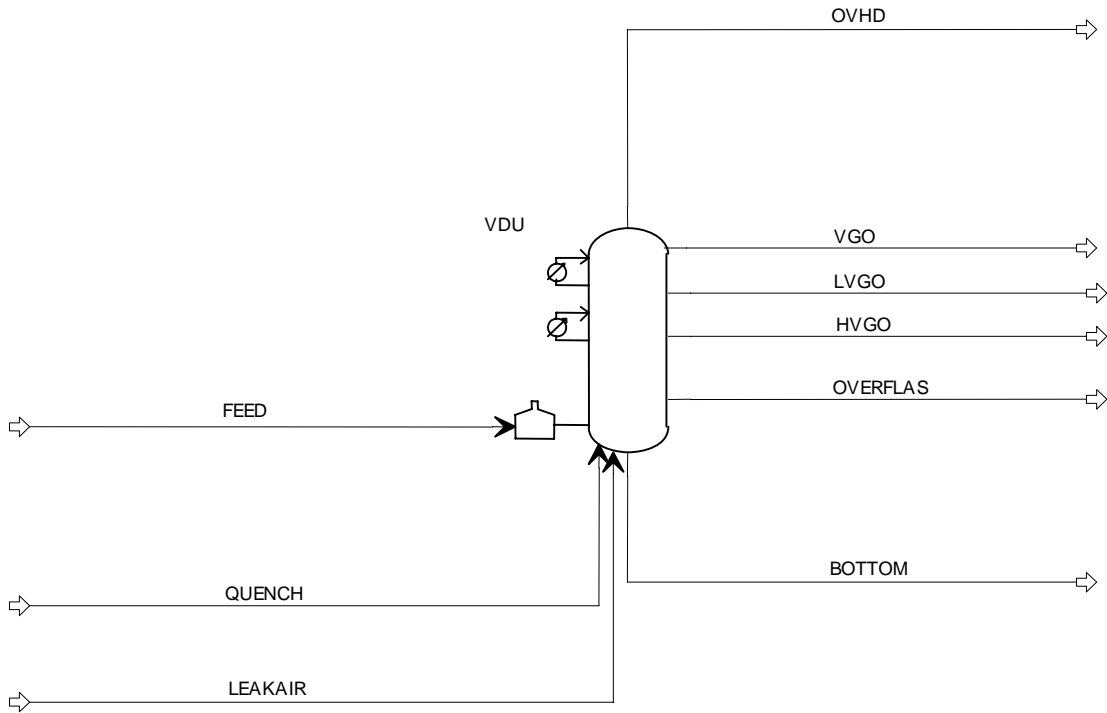


Application Notes

Description : Vacuum Distillation Unit (VDU)

Process Flow Diagram



Process Description

Crude is fed to Vacuum Distillation Unit (VDU). The cuts namely VGO, LVGO and HVGO are designed to meet their ASTM cut point specifications. There are two pumpharounds. Structured packings are used as column internals. The selection of structured packing depends on the consideration of mass and heat transfer across column.