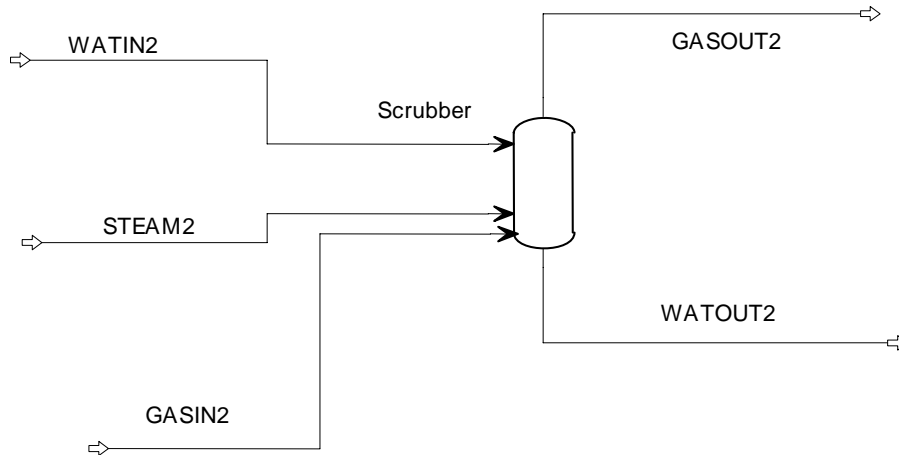


Application Notes

Description: Ethylene diamine (EDA) Scrubber

Process Flow Diagram



Process Description

As per environmental regulations, Ethylene di-amine (EDA) in vent gases should be <10 ppm ($<25\text{mg}/\text{m}^3$). The process gas from various streams is collected and treated with water to scrub EDA to the desired specification level. The system has to be design for various EDA fluctuating loads in the plant. The sizes of these columns are reasonably high, ranging from 2-4 m in diameters, since these column handle vent gases produced in entire plant.

Operating Conditions

EDA scrubbers are operated with wide range of process conditions

- Pressure : 1.1-5 bar
- Temperature : 40-120⁰ C